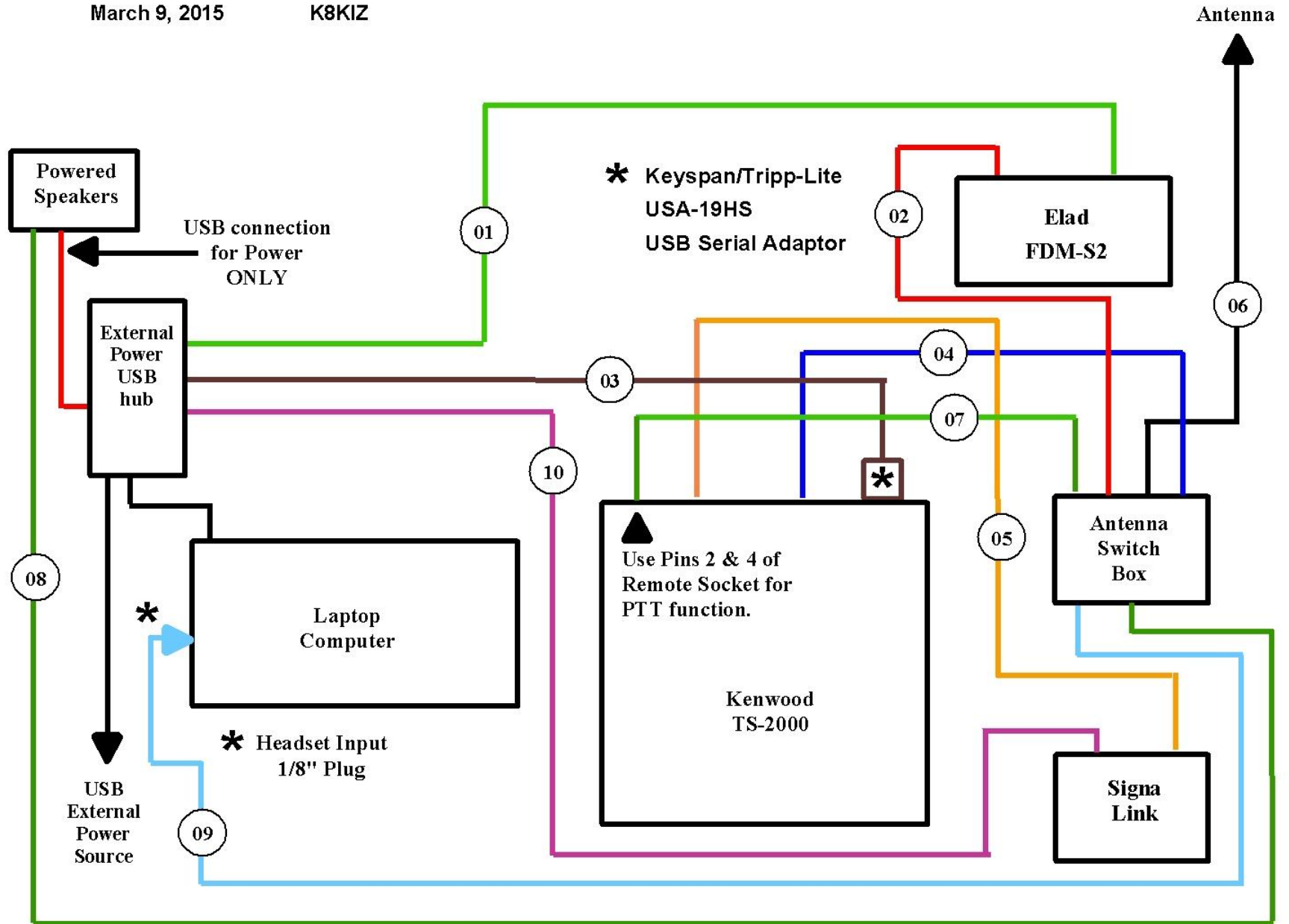


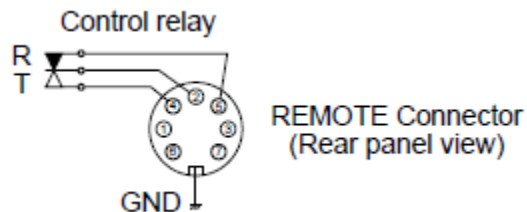
Kenwood-Computer-Elad-SignaLink
Connection Schematic v4
March 9, 2015 K8KIZ



Kenwood-Computer-Elad-SignaLink Schematic v.4

Cable Connection Notes

1. USB cable connection from Elad to externally powered USB hub. (Cable is Elad supplied)
2. BNC to BNC cable connection from Elad S2 to Elad Antenna Switch (Cable is Elad supplied)
3. Keyspan/Tripp-Lite USA-19HS USB Serial Adaptor to connect Kenwood to computer USB hub. (Note: there are several serial adaptors available in the marketplace. Not all of them work with the Kenwood! This one does.)
4. Coax cable connection from Kenwood TS-2000 to Elad Antenna Switch. (PL-259 connectors)
5. Dedicated cable from SignaLink to Kenwood ACC2 socket.
6. External antenna connection to Elad Antenna Switch. (PL-259)
7. RCA audio connector from rear of Elad Antenna Switch to 7-pin Remote Socket of Kenwood. This cable must be handmade. Use caution when wiring the Remote Socket as pin numbers are NOT consecutive. (With the indent at the bottom, Pin 2 is at the Noon position, Pin 4 is next to it at the 11 o'clock position facing the chassis.) You must also go into the Kenwood menu and select menu 28A as shown below to activate the relay.



- 1 Press **[MENU]**, then turn the **MULTI/ CH** control to select Menu No. 28A (HF), 28B (50 MHz), 28C (144 MHz), 28D (430 (440) MHz), or 28E (1.2 GHz).
- 2 Press **[+]/ [-]** to select OFF, 1, or 2.
 - OFF disables the TS-2000(X) relay.
 - 1 is 10 ms transmission delay.
 - 2 is 25 ms transmission delay.

Note: If CW full break-in is enabled, 10 ms transmission delay is applied regardless of the Menu No. 28 settings.

REMOTE connector

Pin No.	Function
1	Speaker output
2	Common terminal
3	Standby; when grounded, the transceiver enters TX mode.
4	When connected with the common terminal, the amplifier enters TX mode.
5	When connected with the common terminal, the amplifier enters RX mode.
6	ALC input from amplifier
7	Approx. +12 V DC is output when in TX mode (10 mA max.).

If you are the original owner of the Kenwood, you would have received the 7-pin plug with the receiver, so you may already have one. As for the RCA connector, I simply clipped off one end of a spare Video, or audio R/L cable, and soldered on the 7-pin plug.

8. Audio cable from External Powered Speaker to front center AF OUT on Elad Antenna Switch.

9. Audio cable from front left RX AF IN of Elad Antenna Switch to computer headphone socket. (Cable is Elad supplied)

10. USB cable connection from SignalLink to USB hub.

Note: Connecting the Kenwood TS-2000 to a computer, SignalLink, Elad FDM-S2, Antenna Switch and external speakers requires more USB sockets than most computers can provide, making a USB hub necessary. However I discovered that an unpowered USB hub is not up to the task as it cannot supply the necessary power to the different connections. By switching to an externally powered USB hub I solved all of my initial problems. My station now performs reliably. And, by having all connections to a single hub, the computer is easily disconnected for other purposes

For those of you who may be interested, here is the data on the USB hub I selected: **7 Port Hi-Speed USB 2.0 Hub + Power Adapter for PC Laptop**

